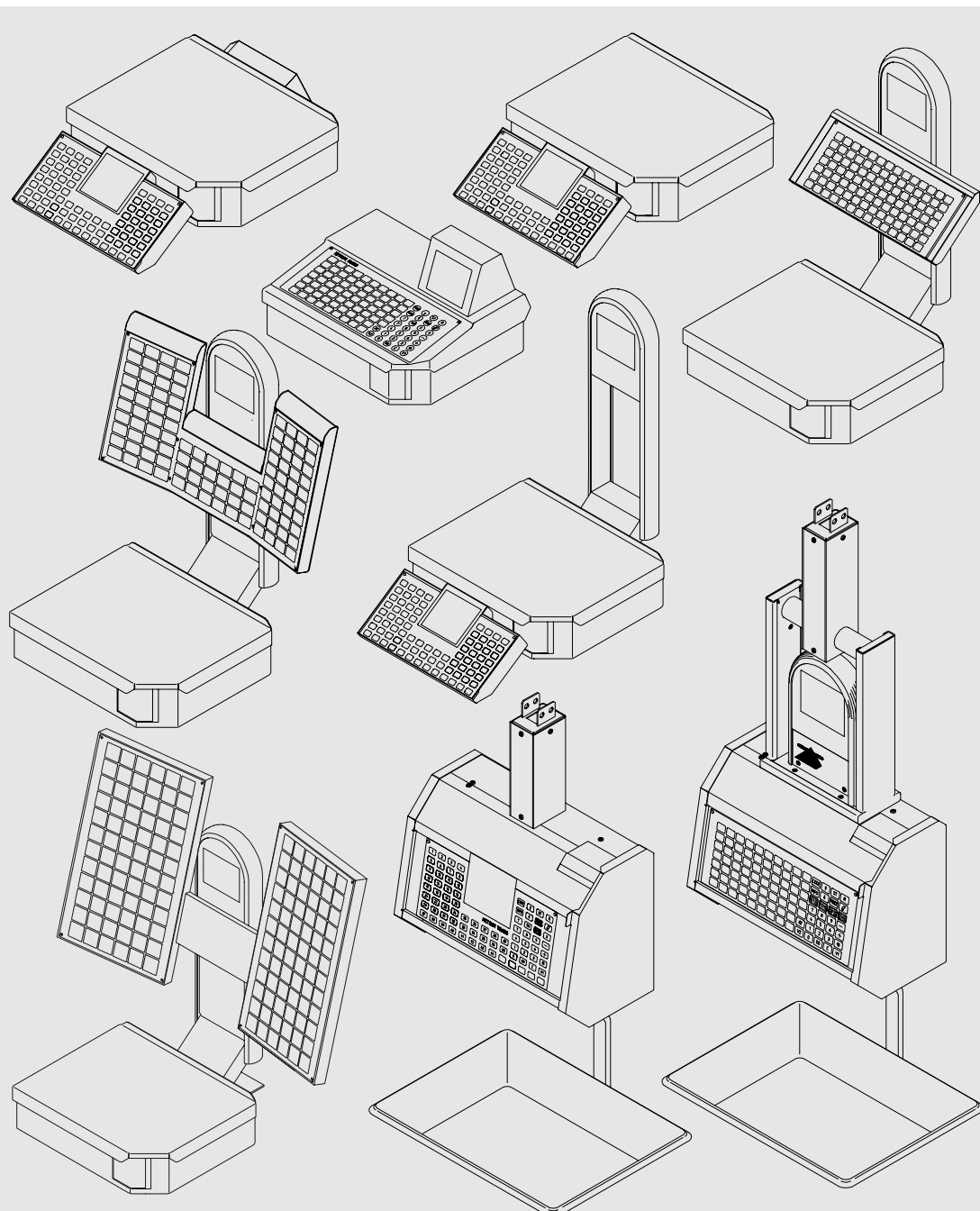


METTLER TOLEDO

MIRA/LPe/LPae User notes

Retail Scales

- Compact Scale
- Counter Scale
- Self Service Scale
- Hanging Scale
- Terminal



mira

METTLER TOLEDO

Contents

1. Introduction

1.1 Declaration of conformity	1
1.2 Metrological instructions	2
1.3 Safety measures	3
1.4 Installation instructions	3
1.5 Automatic Zero maintenance and zeroizing the scale	4
1.6 Instructions for thermalpapers	4

2. Maintenance compact-, counter-, self service models and terminal

2.1 Cleaning	5
2.2 Cleaning the print head	5
2.3 Replacing the thermal paper roll	6
2.4 Replacing the label roll	6

3. Maintenance hanging model

3.1 Cleaning	7
3.2 Cleaning the print head	7
3.3 Replacing the thermal paper roll	8
3.4 Replacing the label roll	8

4. Technical Details

4.1 Technical Details	9
-----------------------------	---

1. Introduction

1.1 Declaration of conformity

We, **Mettler-Toledo (Albstadt) GmbH**
Unter dem Malesfelsen 34
D-72458 Albstadt

declare under our sole responsibility that the product,

counter scale
M/LP - ..., LPe- ... and LPae-... model

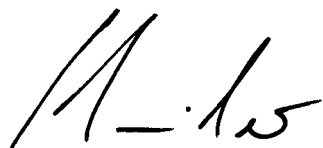
starting from serial number 2073897

to which this declaration relates, is in conformity with the directives of the European Council and the following standards :

Council Directive	Standards
Electromagnetical compatibility 89/336/EEC; directive amendment 92/31/EEC; 93/68/EEC	EN 61000-6-1 EN 61000-6-3
relative to electric supplies for interior use with limited voltages defined 73/23/CEE ; amendment directive 93/68/CEE	EN 60 950
Nonautomatic Balances and Scales 90/384/EEC; directive amendment 93/68/EEC	EN 45501
Electromagnetic compatibiliy (EMC) - Part 3-2: Limits for harmonic current emissions (equipment input current up to and including 16 A per phase)	EN 61000-3-2

Albstadt, March 2004

Mettler-Toledo (Albstadt) GmbH

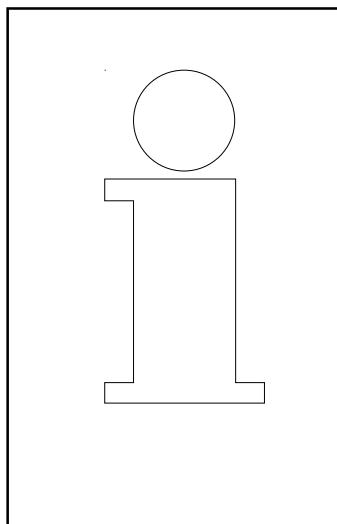


Roland Schmider, General Manager



Dr. Andreas Rinn, Quality Manager

1.2 Metrological instructions



Important note on legal-for-trade scales in EEC countries

- M** **Factory calibrated scales carry the opposite identification on the label applied on the package.**
- M** **Scales identified by the green "M" label applied on the identification plate, can immediately be operated.**
- M** **Scales calibrated in two stages carry the opposite identification on the label applied on the package.**

these scales have already been calibrated (declaration of construction conformity according to EN 45501-8.2) and should be calibrated again on their working place.
This second calibration must be realised by the certified METTLER TOLEDO after-sales service.

Please contact your METTLER TOLEDO agency.

Retail scales, used for legal trade are submitted to calibration and verification.
Do respect the current metrological directions in your country.

1.3 Safety measures

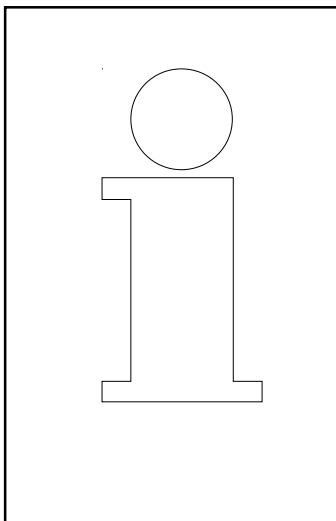


- ⚠ Do not use the device in a moist environment.
Do not use the device in the proximity of an explosive gas mixture, of vapours, steam, or dust !
Any electric device, not equipped with the proper safety measures and used in an area with an explosive atmosphere represents an important danger in this environment.

- ⚠ To prevent any accident, only qualified maintenance personnel is authorised to open this device !

- ⚠ **WARNING!**
IMPROPER EXCHANGE OF THE BATTERY
COULD CAUSE AN EXPLOSION.
DISPOSE OF USED BATTERIES ACCORDING
TO INSTRUCTIONS.

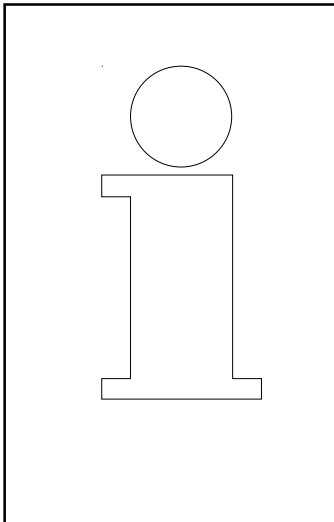
1.4 Installation instructions



In general, your scale or terminal is part of a scale network. The installation and application are handled by METTLER TOLEDO or by an authorized dealer. These agents have been trained for this matter and have all the necessary documentation. Your scale or terminal should only be connected to the mains with the supplied main cable.

The water level is used to level your scale, it is fixed on the plate bearing under the weighing plate. The water level should be checked regularly to assure a correct level reading. When moving the scale, the level should also be checked and corrected by means of the adjustable scale feet.

1.5 Automatic zero maintenance and zeroizing the scale



This scale is equipped with a automatic zeroizing device, an automatic zero maintenance, or put otherwise, small weight changes are automatically compensated (e.g. rests of grease on the plate). This device is deactivated when a package tare is compensated. After cleaning the dirt from the plate with the scale on, the display can read :

- a negative value
- or " _ _ _ _ _ " segments can be lit.

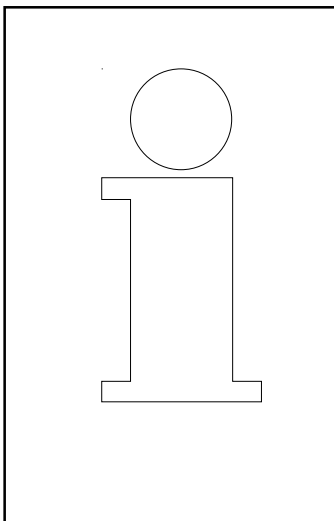
Sollution :

- Press the [C] key twice.

If the message appears again :

- Put the scale off and on again with the mains switch.

1.6 Thermal paper and labels for the printer

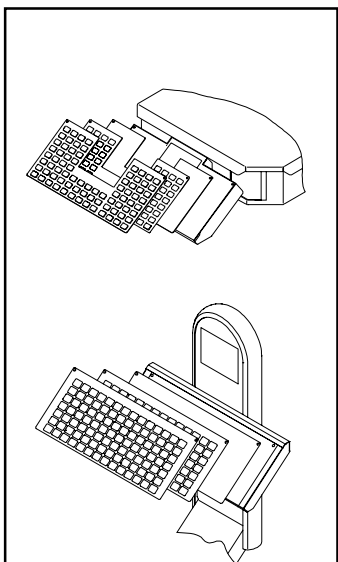


The printer of the MIRA counter scales and terminals operates by means of thermal transfer. For this printer you should only use thermal paper or labels. These two types of paper have been submitted to a long-lasting test by METTLER TOLEDO, then cleared to use ; they are also approved by the legal metrology services to be used on MIRA/LPe/LPae retail scales.

If you use thermal paper or labels others than those mentioned above, the print quality and the lifetime of the print head risk to be diminished. In such a case, warranty for the thermal printer is void.

2. Maintenance compact-, counter-, self service models and terminal

2.1 Cleaning

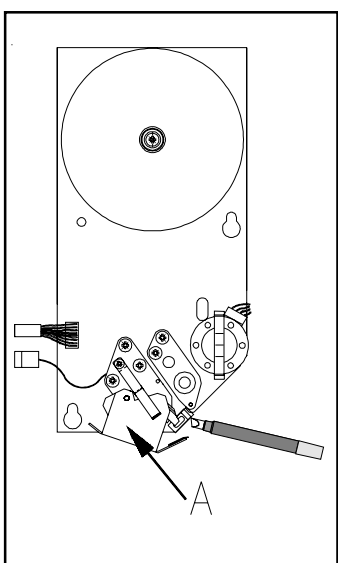


- Switch off the scale.
- Clean the command unit with a wet (not soaked) cloth.
- Remove the three keypad membranes.
- Wash the membranes.
- Put the dry membranes back into place.
- Switch on the scale.



Do not use an aggressive solvent, but a current household detergent.

2.2 Cleaning the print head

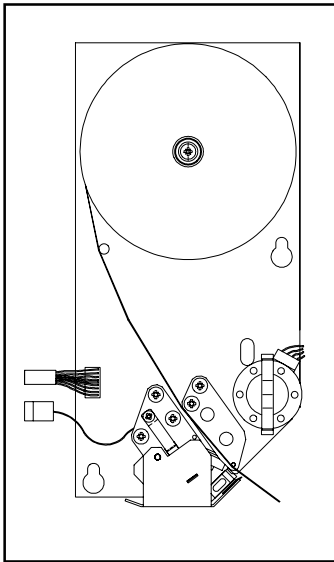


- Switch off the scale.
- Lift the platter.
- Press down the green lever.
The print head (A) flips out of his housing.
- Take off the cap from the cleaning pen.
- Clean the print head with the moist tip of the pen.
- Push back the print head until it clicks.
- Put on the cap of the cleaning pen.
- Close the platter.
- Switch on the scale.



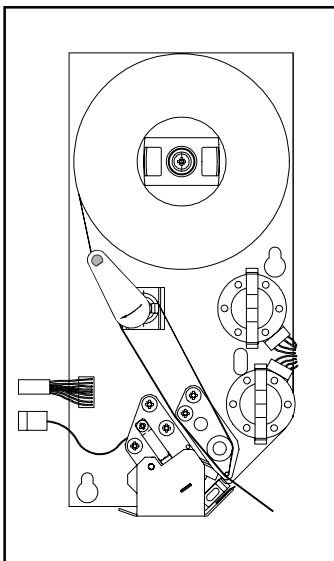
Use only the cleaning pen, for cleaning the print head.
The cleaning pen be enclosed with the scale.
Other cleaning materials will destroy the print head.


2.3 Replacing the thermal paper roll



- Tilt the weighing plate upwards
- Remove the empty reel.
- Press down the green lever.
The print head (A) flips out of his housing.
- Insert the new thermal paper roll in accordance with the drawing.
- The extremity of the paper being on the left side of the roll.
- Pull out the paper untill correct tension is reached.
- Push back the print head until it clicks.
- Tear off the paper that sticks out.
- Close the weighing plate.

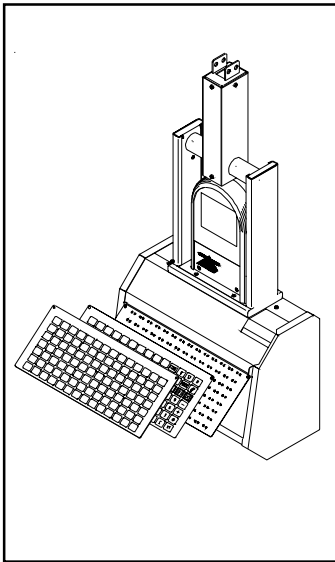
2.4 Replacing the label roll



- Tilt the weighing plate upwards
- Remove the empty reel.
- Press the bolt in direction of the arrow, and hold it.
- Pull the spindle upwards,
remove the body paper or any left paper.
- Slide the new paper roll on the spindle in accordance with the drawing.
- The extremity of the paper being on the left side of the roll.
- Insert the body paper in the spindle.
- Push back the print head until it clicks.
- Close the weighing plate.
- Press paperfeed key  .

3. Maintenance hanging model

3.1 Cleaning

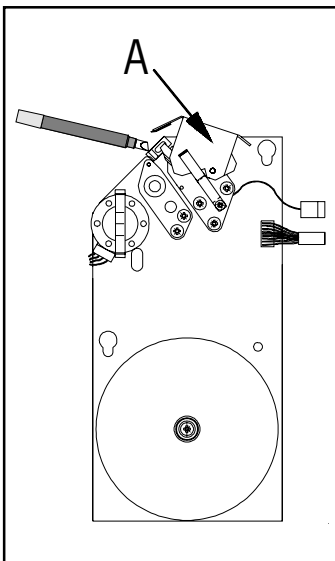


- Switch off the scale.
- Clean the command unit with a wet (not soaked) cloth.
- Remove the three keypad membranes.
- Wash the membranes.
- Put the dry membranes back into place.
- Switch on the scale.



Do not use an aggressive solvent, but a current household detergent.

3.2 Cleaning the print head

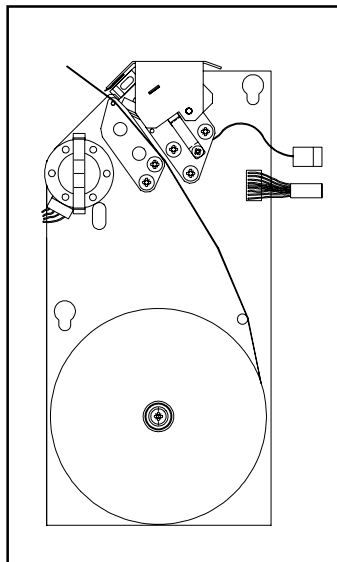


- Shut down the scale.
- Open the door on the right side of the scale.
- Press down the green lever.
The print head (A) flips out of his housing.
- Take off the cap from the cleaning pen.
- Clean the print head with the moist tip of the pen.
- Push back the print head until it clicks.
- Put on the cap of the cleaning pen.
- Close the door on the right side of the scale.
- Switch on scale.



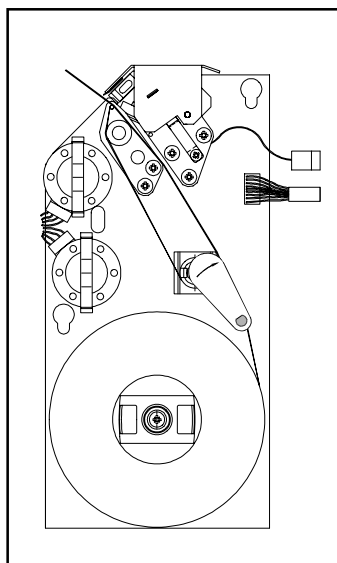
Use only the cleaning pen, for cleaning the print head.
The cleaning pen be enclosed with the scale.
Other cleaning materials will destroy the print head.


3.3 Replacing the thermal paper roll



- Open the door on the right side of the scale.
- Remove the empty reel.
- Press down the green lever.
The print head (A) flips out of his housing.
- Insert the new thermal paper roll in accordance with the drawing.
- The extremity of the paper being on the left side of the roll.
- Pull out the paper untill correct tension is reached.
- Push back the print head until it clicks.
- Tear off the paper that sticks out.
- Close the door on the right side of the scale.

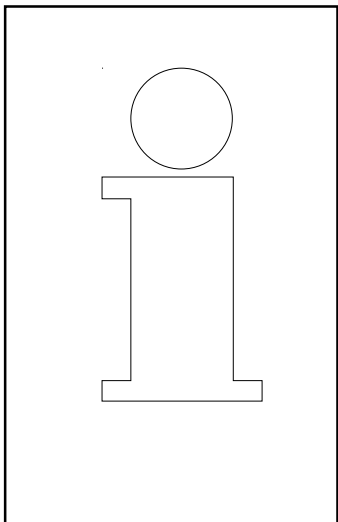
3.4 Replacing the label roll



- Open the door on the right side of the scale.
- Remove the empty reel.
- Press the bolt in direction of the arrow, and hold it.
- Pull the spindle upwards,
remove the body paper or any left paper.
- Slide the new paper roll on the spindle in accordance with the drawing.
- The extremity of the paper being on the left side of the roll.
- Insert the body paper in the spindle.
- Push back the print head until it clicks.
- Close the door on the right side of the scale.
- Press the paperfeed key .

4. Technical Details

4.1 Technical Details



- Nominal voltage 100...240 VAC, 47...63 Hz.
- Max. input current 2.2 A.
- Fuse T6.3 A / 250 V internal.
- Temperature range -10°...+40°C.
- 80% max. relative humidity for temperatures up to 31°C, decreasing linearly to 50% at 40°C.
- Degree of pollution 2.
- Over voltage predicament II.

**To protect your METTLER TOLEDO product's future :
METTLER TOLEDO Service assures you of quality, measuring
accuracy and preservation of value of the METTLER TOLEDO
products for years to come.
Please send for details on our attractive METTLER TOLEDO
Service-offer. Thank you.**

Subject to technical modifications and the
availability of the accessories.

Internet <http://www.mt.com>

- A** **Mettler-Toledo Gesellschaft mbH.**, Favoritner Gewerbering 17, 1100 Wien,
Tel. (01) 604 19 80, Telefax (01) 604 28 80, Telex 111302
- B** **Mettler-Toledo S. A.**, Frans Walravenstraat 84, 1651 Lot (Beersel),
Tel. (02) 334 02 11, Fax (02) 378 16 65
- CH** **Mettler-Toledo (Schweiz) AG**, Im Langacher, 8606 Greifensee,
Tel. (044) 944 45 45, Telefax (044) 944 45 10
- D** **Mettler-Toledo GmbH**, Postfach 110840, 35353 Giessen,
Tel. (0641) 507-333, Telefax (0641) 507-349, Telex 482912
- E** **Mettler-Toledo S.A.E.**, Avda. San Pablo 28, 28820 Coslada (Madrid),
Tel. (01) 669 62 22, Fax (01) 669 33 47
- F** **Mettler-Toledo S.A.**, 18/20 Avenue de la Pépinière, 78222 Viroflay Cedex,
Tél. (01) 30 97 17 17, Fax (01) 30 97 16 16
- I** **Mettler-Toledo S.p.A.**, Via Vialba 42, 20026 Novate Milanese,
Tel. (02) 33 332.1, Telefax (02) 35 62 973
- NL** **Mettler-Toledo B.V.**, Postbus 6006, 4000 HA Tiel,
Tel. (03440) 638 363, Telefax (03440) 638 390, Telex 70179